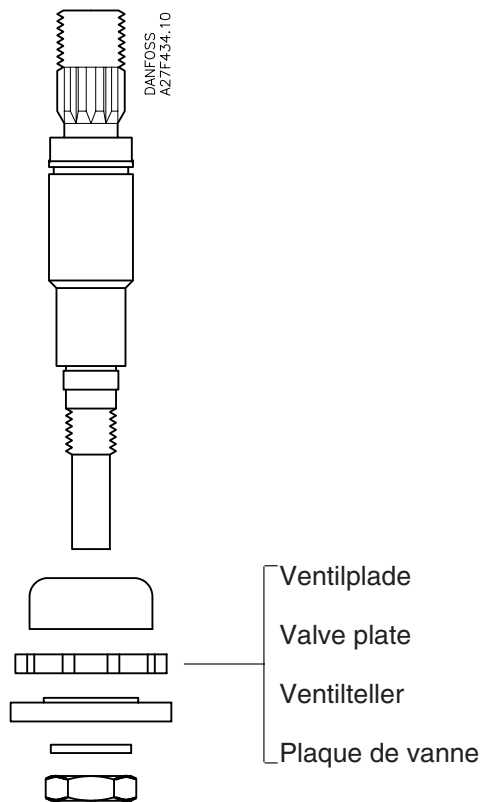


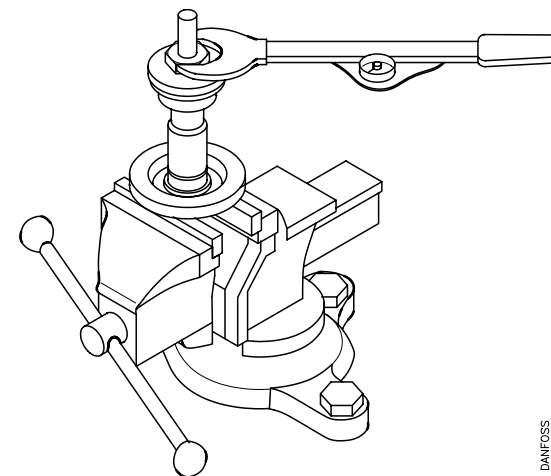


027R9501

027R9501



376



Ventilplade Valve plate Ventilteller Plaque de vanne Code no.	Ventil type Valve type Ventil Typ Type de vanne	Tilspændingsmoment Tightening torque Anzugsmoment Couple de serrage Nm
<b>027F0683</b>	PM 5-25, PMC 5-20 PMFL 200, PMFH 200	35 ±5
<b>027F0684</b>	PM 32 PMFL 300, PMFH 300	55 ±5 35 ±5
<b>027F0685</b>	PM 40, PML 32 PMFH 500	55 ±5 50 ±5
<b>027F0686</b>	PM 50 PML 40	60 ±5 55 ±5
<b>027F0687</b>	PM 65, PML 50	60 ±5
<b>027F0688</b>	PML 65	65 ±5
<b>027F0689</b>	PMFL 80 - 1, 2, 3	17 ±2
<b>027F0690</b>	PMFL 80 - 4, 5, 6 7 PMFH 80 - 2, 4, 5, 6, 7	17 ±2
<b>027F0691</b>	PMFL 125, PMFH 125	35 ±5